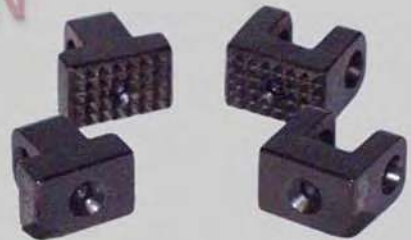


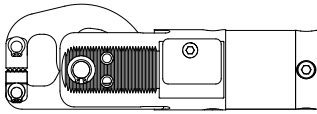
Mini Locking Grippers



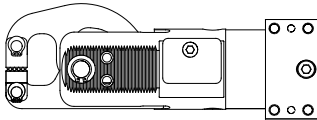
BTM
CORPORATION



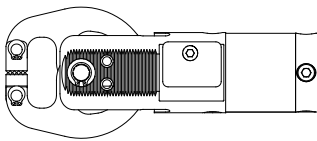
STANDARD PADS
CUSTOM PADS AVAILABLE



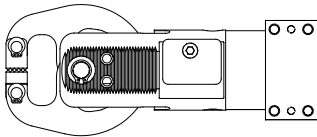
739400A
PG-38MLG-S
Single 65° Opening Arm
pg. 38



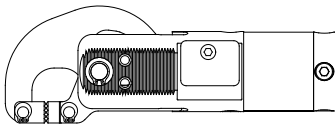
739400R
PG-38MLG-S-FM (Flange Mount)
Single 65° Opening Arm
pg. 38



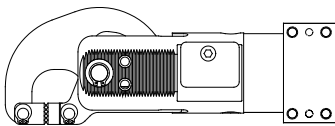
739400E
PG-38MLG-D
Dual 65° Opening Arms
pg. 39



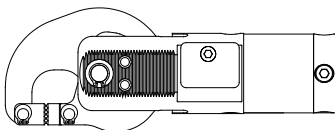
739400S
PG-38MLG-D-FM (Flange Mount)
Dual 65° Opening Arms
pg. 39



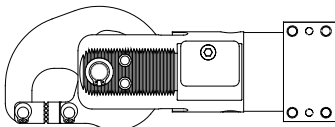
739400F
PG-38MLG-SF
Single 65° Opening Flange Arm
pg. 40



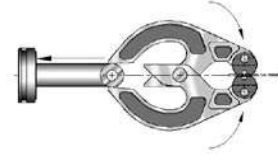
739400T
PG-38MLG-SF-FM (Flange Mount)
Single 65° Opening Flange Arm
pg. 40



739400G
PG-38MLG-DF
Dual Opening Flange Arms
65° Upper / 45° Lower Opening
pg. 41



739400U
PG-38MLG-DF-FM (Flange Mount)
Dual Opening Flange Arms
65° Upper / 45° Lower Opening
pg. 41



Locking Grip

The BTM gripper uses a cam and roller mechanism to provide high gripping force. The roller engages a detent on the cam surface to hold the part if air pressure is lost.

SPECIFICATIONS

BORE: \varnothing 38.1mm [1.5"]

STROKE: 20.5mm [0.81"]

OPERATING PRESSURE: 4 - 5.5 BAR

[60 - 80 PSI]

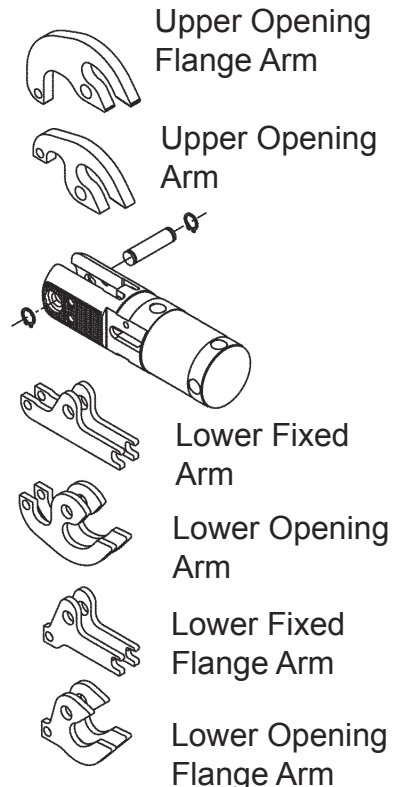
WEIGHT: .7 kg [1.5 lbs.]

GRIPPING FORCE: @ 4 BAR = .7 kN [153 lbs.]

@ 5.5 BAR = .9 kN [205 lbs.]

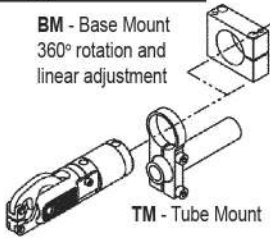
Interchangeable Arm Styles

The arms are retained by a single pin, allowing quick and easy arm changes.



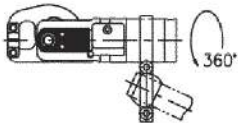
Gripper Mounts

BM - Base Mount
360° rotation and
linear adjustment

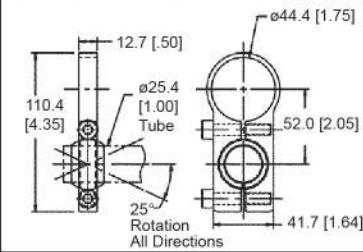


TM - Tube Mount

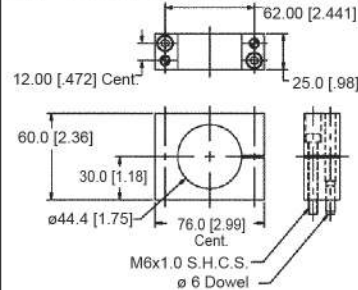
The round gripper body design and Tube Mount provides 360° rotation, linear, sliding and swiveling adjustment. The 1" tube mount uses a hardened steel swivel with serrated surfaces to ensure a positive lock. Patent No. 5,647,625



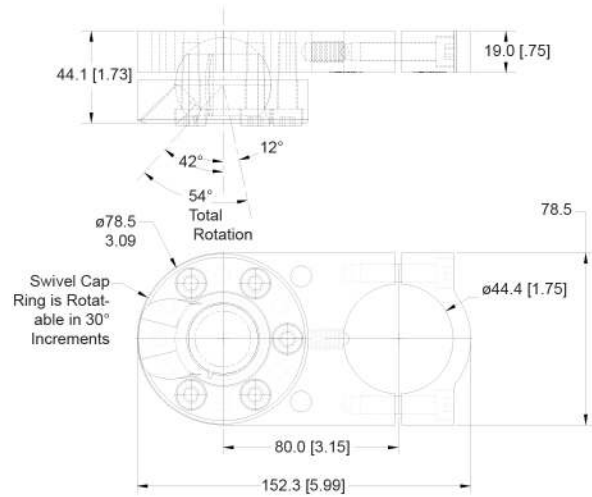
TM - Tube Mount 708700D



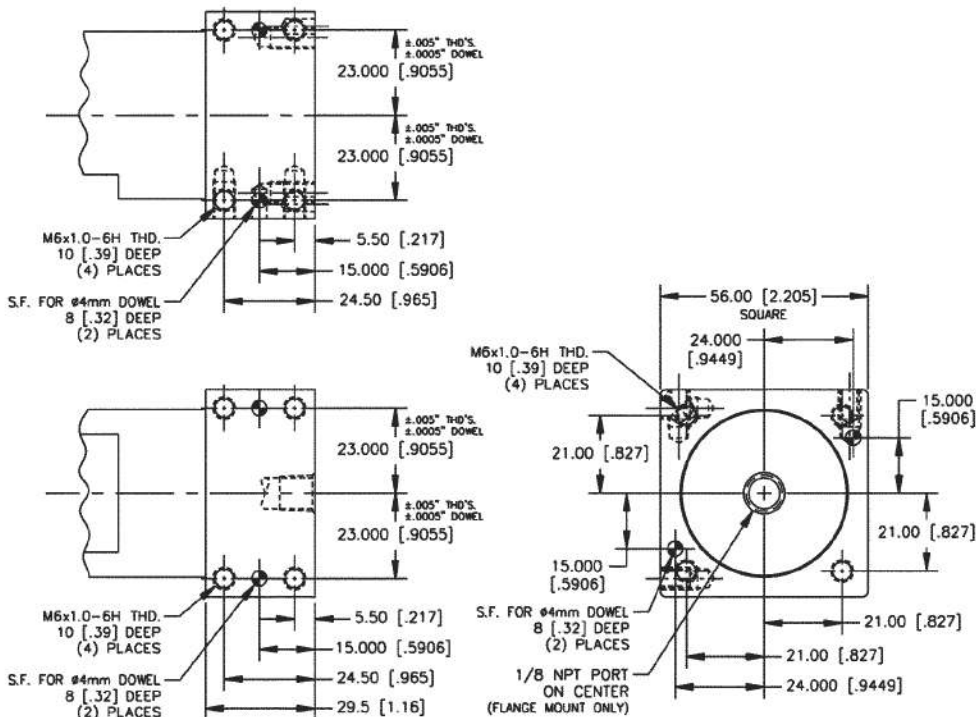
BM - Base Mount 730200C



HTM - 1 1/4" Tube Mount 767400L



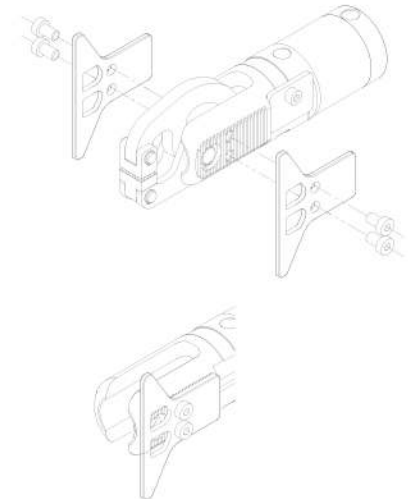
FM - Flange Mount Dimensions



Part Stops

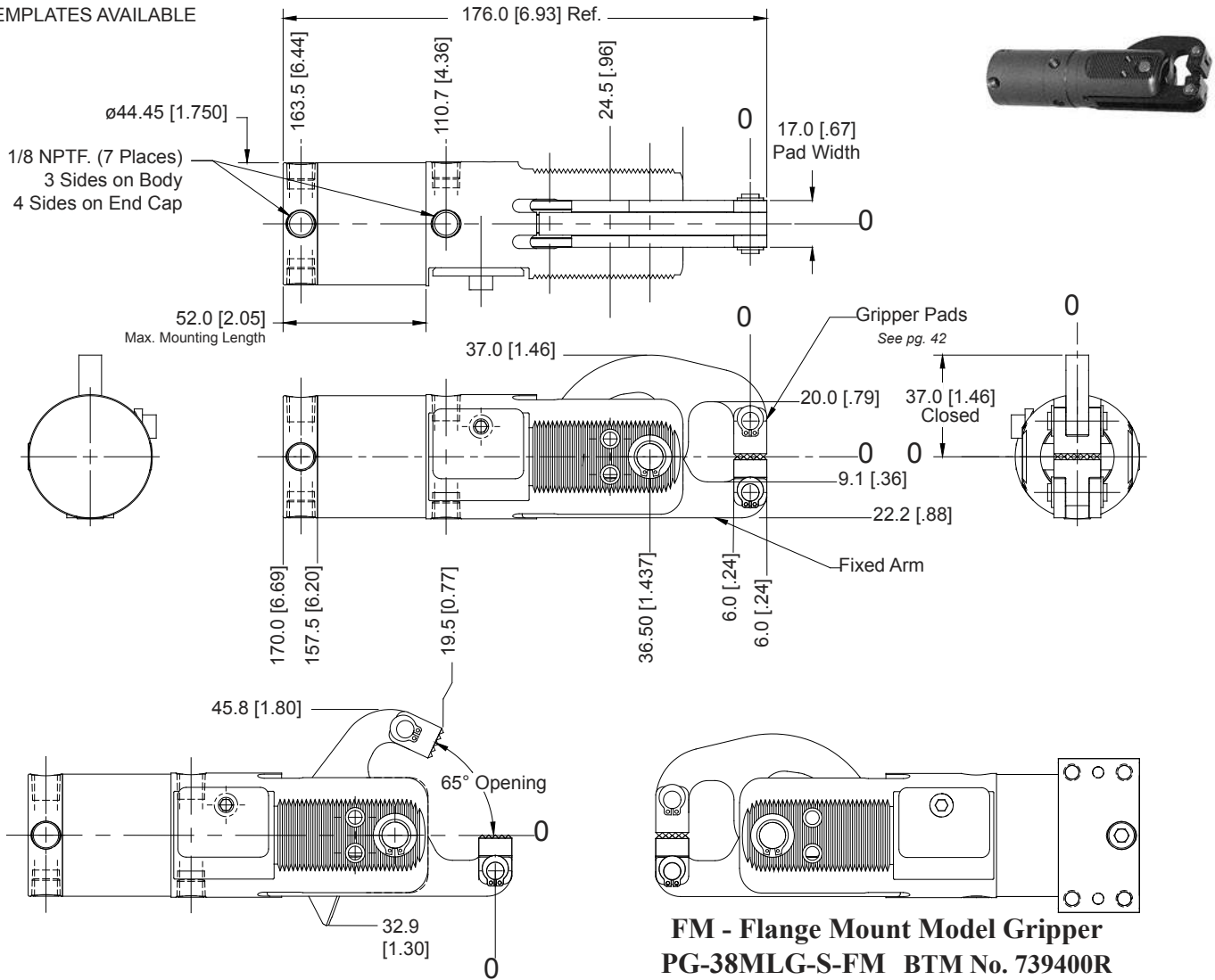
Part Stops (PS)

Hardened steel stops position the part and protect the gripper body from damage.



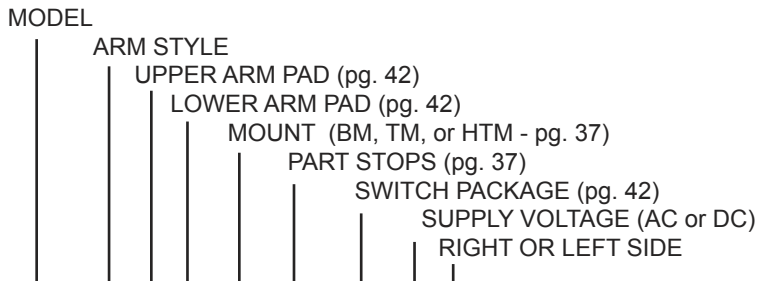
Custom part stops can be manufactured to meet your specific application. Contact BTM for details.

CAD TEMPLATES AVAILABLE



FM - Flange Mount Model Gripper
PG-38MLG-S-FM BTM No. 739400R
 see pg. 37 for flange mount dimensions

HOW TO ORDER



PG-38MLG-S - 1 - 3 - TM - PS - SPT-DC-R

BTM No. 739400A

OPTIONS

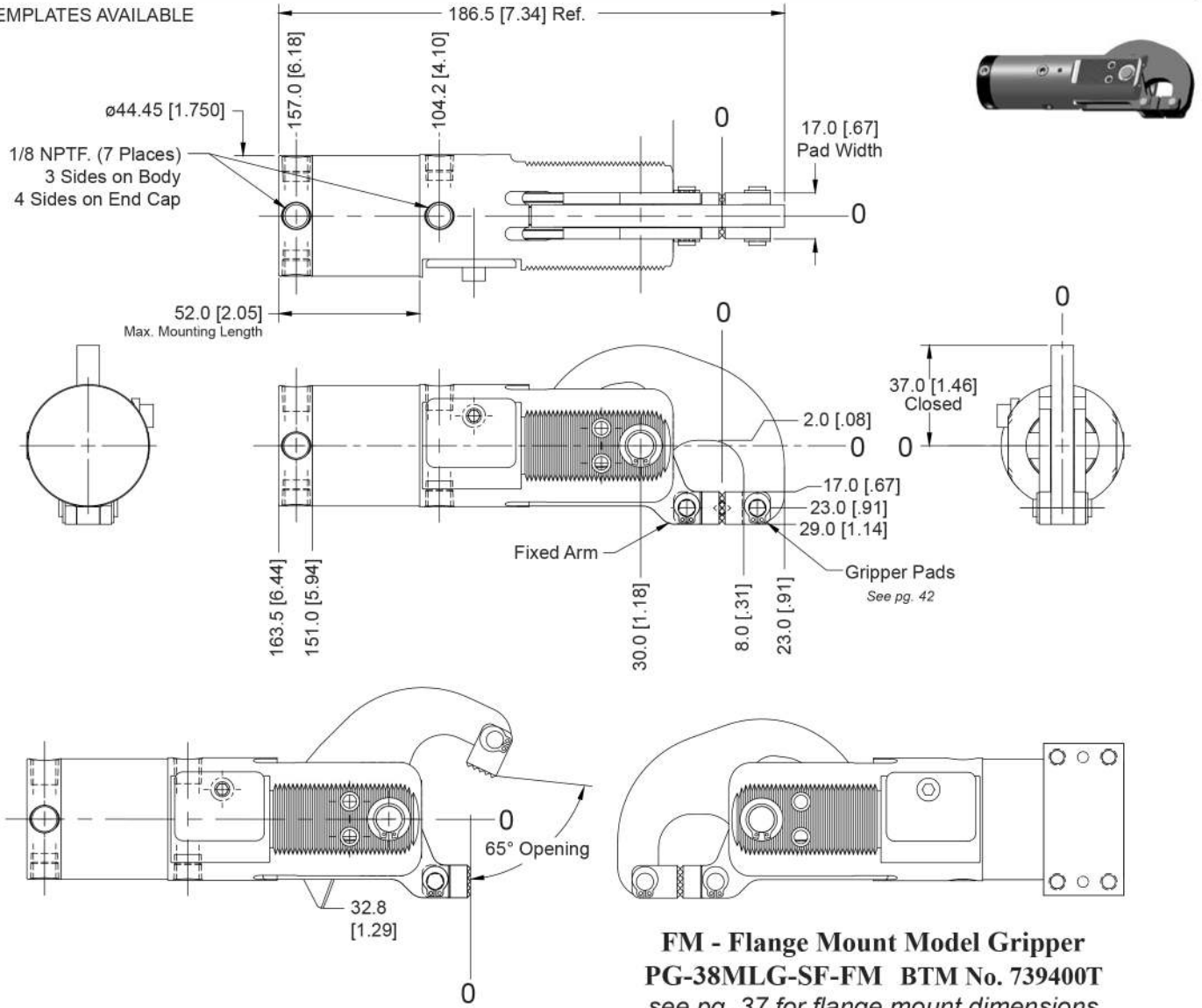
SPECIFICATIONS

BORE: \varnothing 38.1 [1.5"]
 STROKE: 20.5 [0.81"]

OPERATING PRESSURE:
 4 - 5.5 BAR [60 - 80 PSI]
 Use Flow Controls To Reduce Impact.

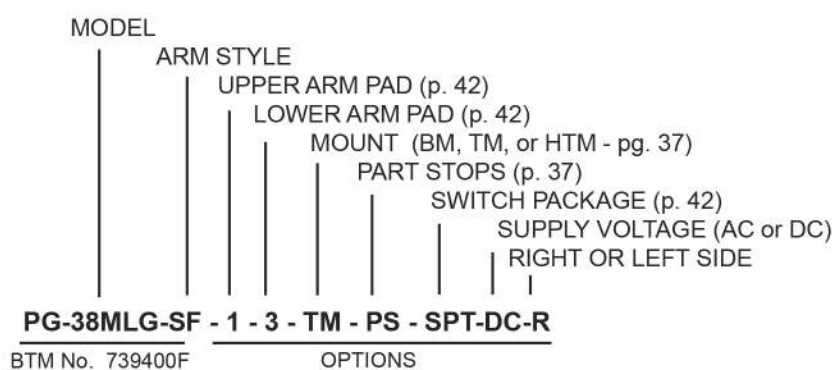
WEIGHT: .7 kg [1.5 lbs.]
 GRIPPING FORCE:
 @ 4 BAR = .7 kN [153 lbs.]
 @ 5.5 BAR = .9 kN [205 lbs.]

CAD TEMPLATES AVAILABLE



FM - Flange Mount Model Gripper
PG-38MLG-SF-FM BTM No. 739400T
see pg. 37 for flange mount dimensions

HOW TO ORDER



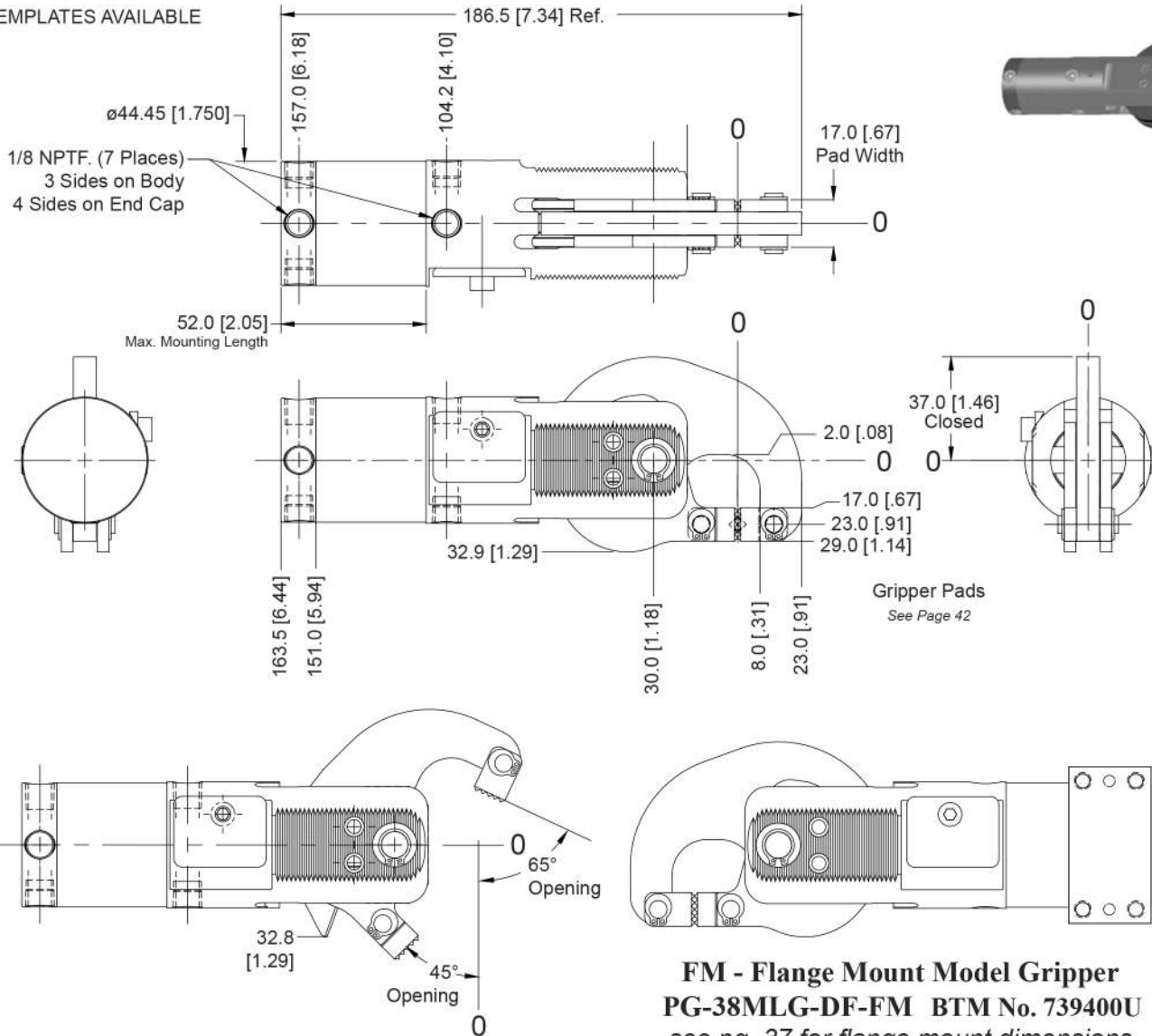
SPECIFICATIONS	
BORE:	ø 38.1 [1.5"]
STROKE:	20.5 [0.81"]
OPERATING PRESSURE:	
4 - 5.5 BAR [60 - 80 PSI]	
Use Flow Controls To Reduce Impact.	
WEIGHT:	.7 kg [1.5 lbs.]
GRIPPING FORCE:	
@ 4 BAR = .7 kN [153 lbs.]	
@ 5.5 BAR = .9 kN [205 lbs.]	

PG-38MLG ~ Double Opening Flange Arms

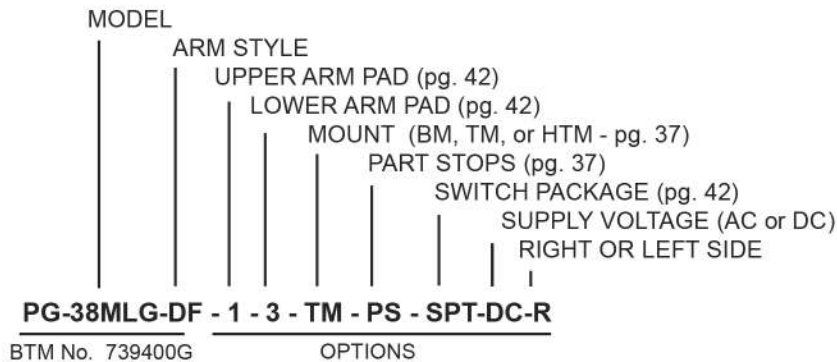
PG-38MLG-DF BTM No. 739400G



CAD TEMPLATES AVAILABLE



HOW TO ORDER



SPECIFICATIONS

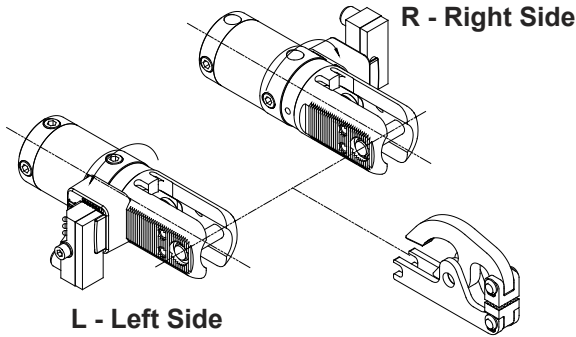
BORE: Ø 38.1 [1.5"]
 STROKE: 20.5 [0.81"]

OPERATING PRESSURE:
 4 - 5.5 BAR [60 - 80 PSI]
 Use Flow Controls To Reduce Impact.

WEIGHT: .7 kg [1.5 lbs.]

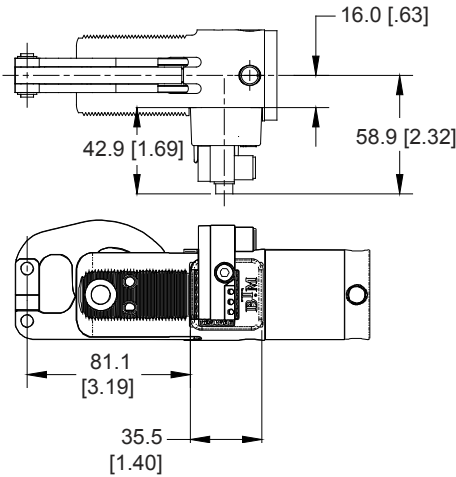
GRIPPING FORCE:
 @ 4 BAR = .7 kN [153 lbs.]
 @ 5.5 BAR = .9 kN [205 lbs.]

Switch Packages



The switch package can be positioned to the left or right hand side of the gripper. This is done by removing the arms, rotating the body and refitting the arms in the opposite position.

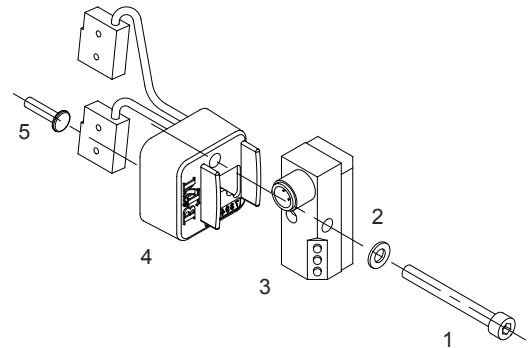
SP - BTM No. (see chart)



Order Code	Description	Ass'y No.
SPT-DC	TURCK DC - SO2 CLOSED	739400B
TSPT-DC	TURCK DC - SO2 OPEN	739400K
SPT-AC	TURCK AC - SO2 CLOSED	739400H
TSPT-AC	TURCK AC - SO2 OPEN	739400J
SPP-DC	P&F DC - SO2 CLOSED	739400L
TSPP-DC	P&F DC - SO2 OPEN	739400M
SPAB-DC	Allen Bradley DC - SO2 CLOSED	Call BTM
TSPAB-DC	Allen Bradley DC - SO2 OPEN	Call BTM

More switch brands may be available. Contact BTM for details.

ITEM	DESCRIPTION	QTY	NUMBER
1	M5 x 45mm S.H.C.S.	1	018493
2	Washer	1	020403
3	Status Controller	1	See chart
4	Prox. Block	1	739403B
5	Prox. Actuator	1	020411



Interchangeable Gripper Pads

UPPER PADS

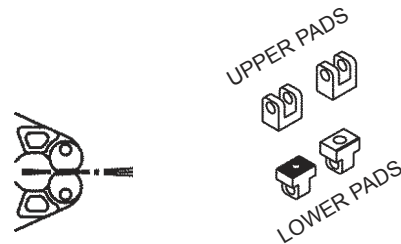
Material Thickness To Be Gripped

Material Thickness To Be Gripped	Upper Single Pad		Upper Single Smooth Pad	
	Order No.	BTM Number	Order No.	BTM Number
.5 to 1.0 mm	1	739410A	5	739415A
1.0 to 1.6 mm	1	739410A	5	739415A
1.6 to 2.5 mm	2	739411A	6	739416A
2.6 to 3.0 mm	2	739411A	6	739416A
3.1 to 4.0 mm	13	739423A	15	739425A

LOWER PADS

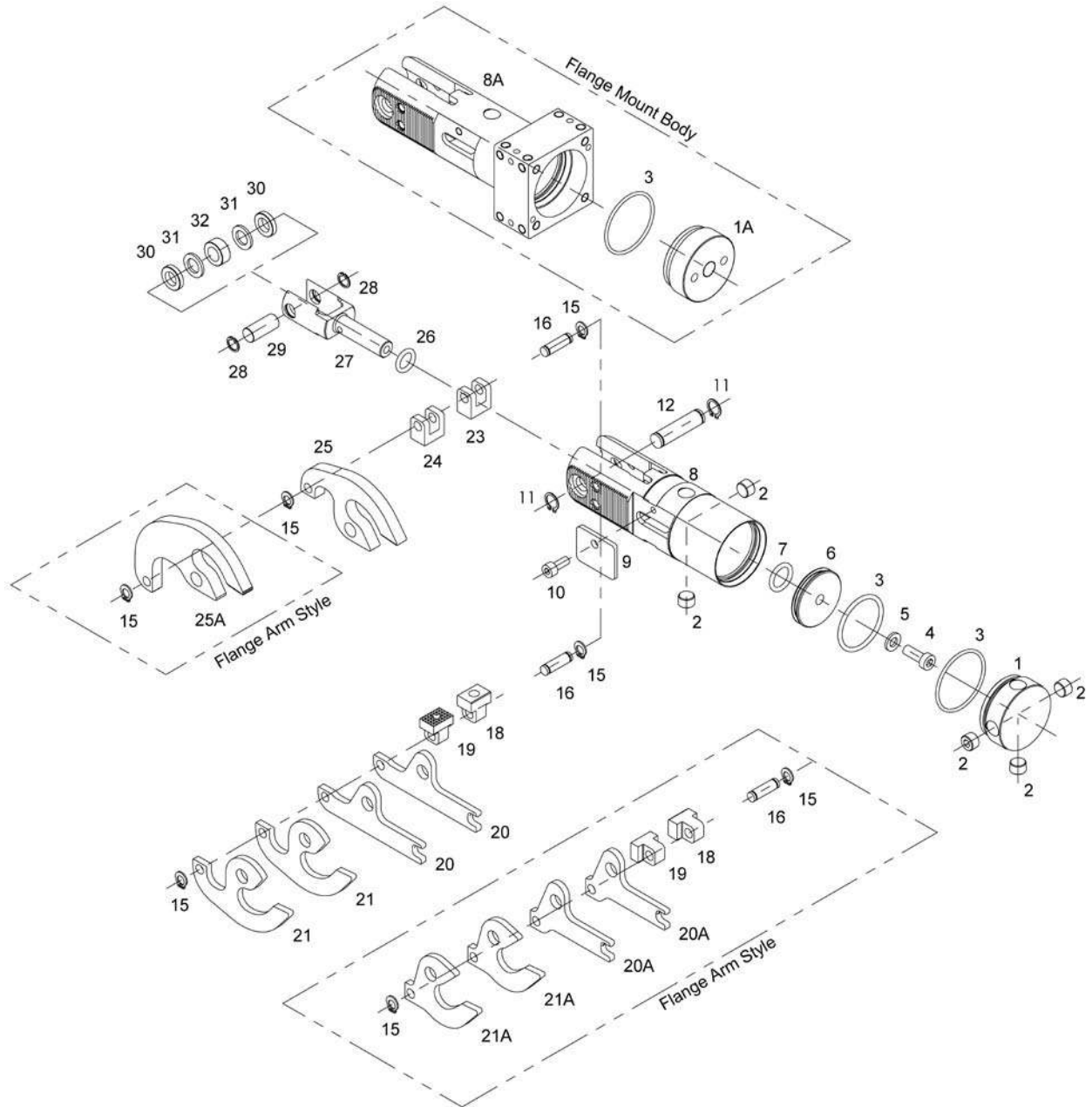
Material Thickness To Be Gripped

Material Thickness To Be Gripped	Lower Single Pad		Lower Single Smooth Pad	
	Order No.	BTM Number	Order No.	BTM Number
.5 to 1.0 mm	3	739412A	7	739417A
1.0 to 1.6 mm	4	739413A	8	739418A
1.6 to 2.5 mm	4	739413A	8	739418A
2.6 to 3.0 mm	14	739424A	16	739426A
3.1 to 4.0 mm	14	739424A	16	739426A



±5° self-aligning gripper pads are easily interchanged to accommodate different material thickness.

PG-38MLG Components



ITEM	DESCRIPTION	QTY	NUMBER	ITEM	DESCRIPTION	QTY	NUMBER
1	End Cap	1	739404A	19	Pad 3, 4 & 14 Lower Single	*	page 42
1A	End Cap (Flange Mount)	1	739402R	20	Lower Fixed Arm	2	739403A
2	Port Plug	5	014276	20A	Lower Fixed Flange Arm	2	739402F
3	Piston Cap Seal	1	016643	21	Lower Opening Arm	2	739402A
4	Piston Rod Screw	1	023182	21A	Lower Opening Flange Arm	2	739401G
5	Piston Washer	1	018601				
6	Piston	1	739405A	23	Pad 5, 6 & 15 Upper Smooth	*	page 42
7	Piston Shock	1	000149	24	Pad 1, 2 & 13 Upper Single	*	page 42
8	Body	1	739408A	25	Upper Opening Arm	1	739401A
8A	Body (Flange Mount)	1	739401R	25A	Upper Opening Flange Arm	2	739401F
9	Cover	1	739407A	26	Rod Seal	1	013007
10	Cover Screw	1	016045	27	Roller Slide Rod	1	739406A
11	Pivot Pin Retainer	2	001238	28	Pin Retainer	2	001428
12	Arm Pivot Pin	1	730211A	29	Roller Pin	1	730205A
15	Pad Pin Retainer	4	005241	30	Outer Roller	2	730203A
16	Pin - Pad to Arm	2	739409A	31	Thrust Bearing	2	728028A
18	Pad 7, 8 & 16 Lower Smooth	*	page 42	32	Inner Roller	1	730204A

* Denotes Optional Components